

STANDARD DESIGN NOTES:

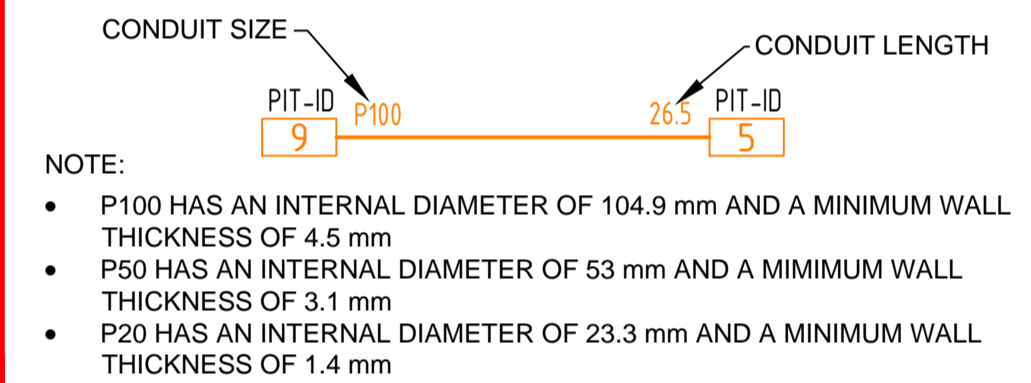
1. THERE ARE A TOTAL OF 9 RESIDENTIAL DWELLINGS OVER 9 LOTS, MADE UP OF 9 SINGLE AND 0 MULTI DWELLING UNITS.
2. ALL OF THE STAGE IS TO BE FED FROM A NEW FDH INSTALLED IN STAGE 1.
3. REFER TO SPA DRAWING 2570-E01 FOR COORDINATION WITH THE ELECTRICAL DESIGN.

LEGEND

| | | | |
|--|--|--|--|
| | FIBRE DISTRIBUTION HUB (FDH) WITH CABINET ID SHOWN | | ZERO LOT PROPERTY BOUNDARY |
| | NBN Co PIT TYPE 2 PLASTIC PIT OR SIMILAR | | SHARED TRENCH |
| | NBN Co PIT TYPE 5 PLASTIC PIT OR SIMILAR | | TRANSFORMER / KIOSK / PAD MOUNT SUB-STATION / POLE MOUNT TRANSFORMER |
| | NBN Co PIT TYPE 8 PLASTIC PIT OR SIMILAR | | END CAP CONDUIT WITH STATION NO. |
| | NBN Co PIT TYPE 9 PLASTIC PIT OR SIMILAR | | CAP SERVICE CONDUIT (P50/P20) P20=P23 mm NBNCo SERVICE CONDUIT |
| | EXISTING NBN Co PIT | | LOCAL CONDUIT (P100/P50) |
| | EXISTING CONDUIT | | NBNCo STAGE BOUNDARY |

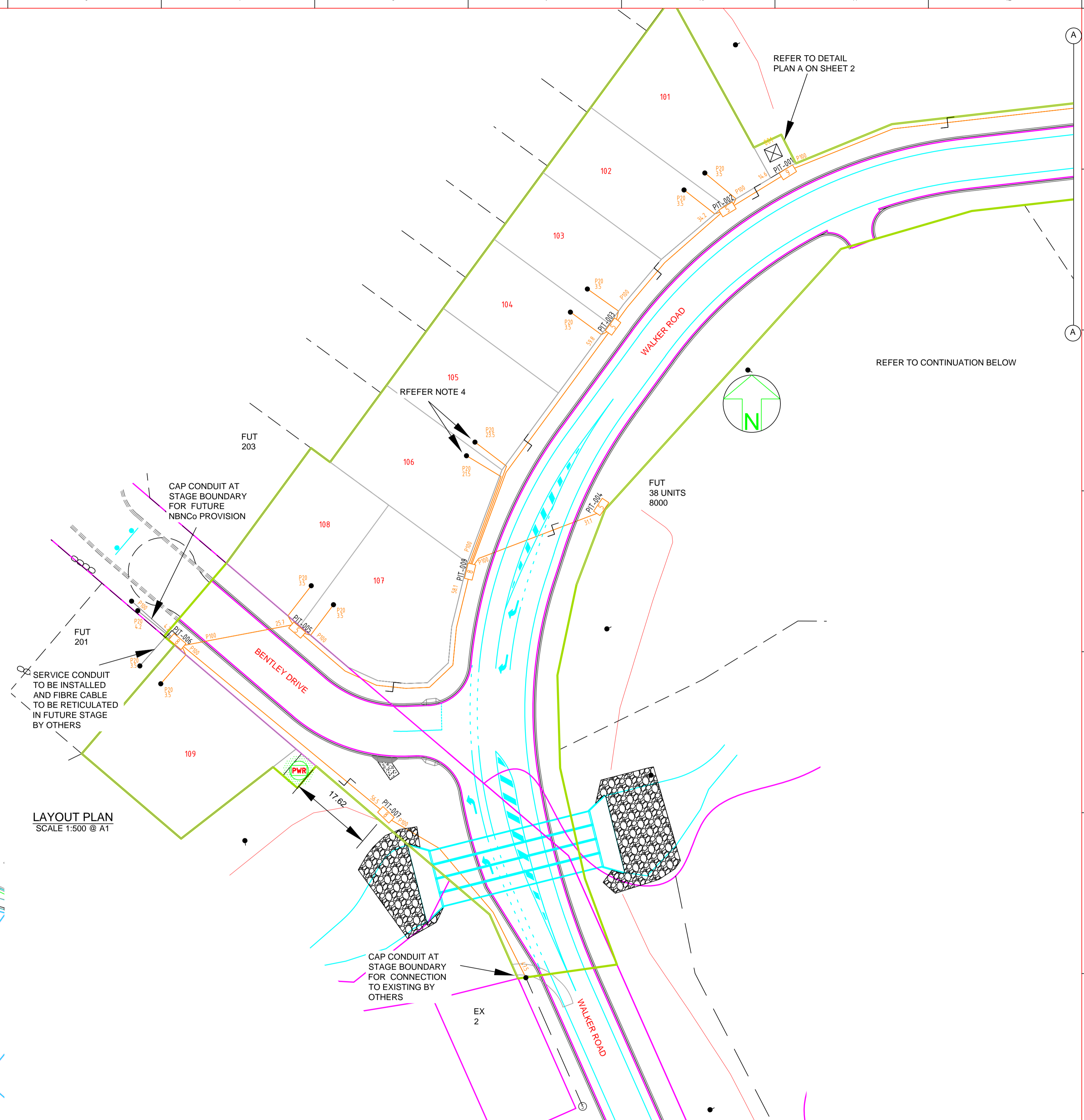
CONDUIT CONFIGURATION

CONDUITS AND DUCTS ARE IN LAYER: <L460 NBN Support - Underground> AND TERMINOLOGY CATEGORISED INTO TWO GROUPS IN THE DRAWINGS AS PER BELOW:
 1- DUCT USED WITH LOCAL NETWORK
 2- CONDUIT USED WITH LEAD-IN DROPS
 ATTRIBUTES ATTACHED TO CONDUITS ARE AS SHOWN



STANDARD CONSTRUCTION NOTES:

1. REFER TO NBN Co DOCUMENT NO. NBN-TE-CTO-194 (DEPLOYMENT OF THE NBN Co CONDUIT AND PIT NETWORK - GUIDELINES FOR DEVELOPERS) FOR DETAILED CONSTRUCTION SPECIFICATION.
2. MULTIPLE 15° CONDUIT BENDS TO BE USED TO SWING IN AND OUT OF THE STANDARD TRENCH ALIGNMENT AND ENTER THE NARROW ENDS OF THE PIT.
3. PITS TO INCLUDE LID GASKET TO PREVENT DIRT ENTRY AND SPREADER BARS TO PREVENT PIT BUCKLING DURING BACKFILL / GROUND COMPACTION. PIT LIDS TO BE EMBOSSED WITH "NBN" AND COMPLY AS PER CLAUSE 5.3.2 OF THE ABOVE NBN Co DOCUMENT.
4. SERVICE CONDUITS TO EXTEND 1m INSIDE THE FRONT PROPERTY BOUNDARY. REFER EXTENDED SERVICE CONDUIT DETAIL FOR DISTANCES FROM DIVIDING PROPERTY BOUNDARY FOR BOUNDARIES WITHOUT PIT. CONTRACTORS TO TIE TELECOMMUNICATIONS CAUTION TAPE TO END OF SERVICE CONDUITS AND EXTEND TO ABOVE GROUND LEVEL FOR FUTURE CONDUIT LOCATION.
5. ALL CONDUITS TO ENTER AND EXIT AT NARROW ENDS OF PITS ONLY. LOCATE CONDUITS AS CENTRALLY IN PIT END WALLS AS POSSIBLE. CONDUITS SHALL NOT BE INSTALLED WITHIN 50 mm OF ANY CORNER OF THE PIT. MINIMUM SEPARATION BETWEEN CONDUITS TO BE 25 mm. INSTALL CONDUITS AND CONDUIT COLLARS (BUSHES) TO BE SQUARE AND FLUSH WITH THE PIT END WALL. REFER TO THE PIT END WALL DETAILS IN THIS DESIGN FOR ADDITIONAL REQUIREMENTS.
6. MINIMUM COVER TO BE: 300 mm FOR SERVICE DROP CONDUITS, 450 mm IN VERGE, 600 mm UNDER LOCAL ROADS, AND 800 mm UNDER MAIN ROADS.
7. CONDUITS ARE TO BE CLEANED AND PROVEN USING A MANDREL. AFTER TESTING INSTALL A SUITABLE DRAW ROPE TO ALL CONDUITS AND CAP CONDUIT ENDS. SEAL CONDUITS AT PITS TO PREVENT ENTRY OF DUST AND MOISTURE. SERVICE CONDUIT DRAW ROPES TO BE ADDITIONALLY FITTED WITH A PLASTIC LABEL AT PIT END, IDENTIFYING LOT NUMBER AND DISTANCE / DIRECTION FROM BOUNDARY.
8. INSTALL NON CONDUCTIVE (METAL FREE) MARKER TAPE ABOVE ALL NBN Co CONDUITS, 300 mm BELOW FINISHED GROUND LEVEL. INSTALL METALLIC KERB MARKERS AT ROAD CROSSINGS.
9. REFER TO ERGON ENERGY STANDARD DRAWINGS 5228 AND 5168 SHEETS 1 TO 3 FOR SHARED TRENCH CROSS SECTIONS.
10. GRADE TOP OF PIT TO MATCH VERGE / FOOTPATH.
11. WHERE REQUIRED, SUPPLY AND INSTALL SERVICE AND ROAD CROSSING CONDUITS SHOWN IN THE SITE PLAN.
12. WHERE CONDUIT BURIAL DEPTH IS LESS THAN THAT SPECIFIED IN THE NBN Co DEPLOYMENT OF CONDUIT AND PIT NETWORK GUIDELINES, SUPPLY AND INSTALL CONCRETE COVER (FOR VERGE AND FOOTPATH) / CONCRETE ENCASMENT (FOR ROADWAYS) ENSURE THAT MINIMUM SEPARATION TO ALL OTHER SERVICES ARE MAINTAINED.
13. WHERE SPECIFIED ON THE SITE PLAN, NBN Co CONDUIT TO BE INSTALLED UNDERNEATH STORM WATER. REFER TO THE NBN Co DEPLOYMENT OF CONDUIT AND PIT NETWORK GUIDELINES FOR THE MINIMUM CLEARANCES REQUIRED.
14. SUPPLY AND INSTALL ADDITIONAL DEVIATING CONDUIT BENDS TO ACHIEVE THE INCREASED / DECREASED BURIAL DEPTH REQUIRED TO AVOID CLASH WITH OTHER SERVICES.



FOR CONSTRUCTION
SAFETY FIRST
 SAFETY STARTS WITH YOU

STAFF WORKING ON THIS ESTIMATE PLEASE NOTE:
 The location of other authorities services which may affect this work have not been obtained by the estimator. Constructor to obtain service information before commencing.

****ATTENTION****
CONSTRUCTORS DO NOT
 change or alter job
 specifications unless first
 checking with designer.

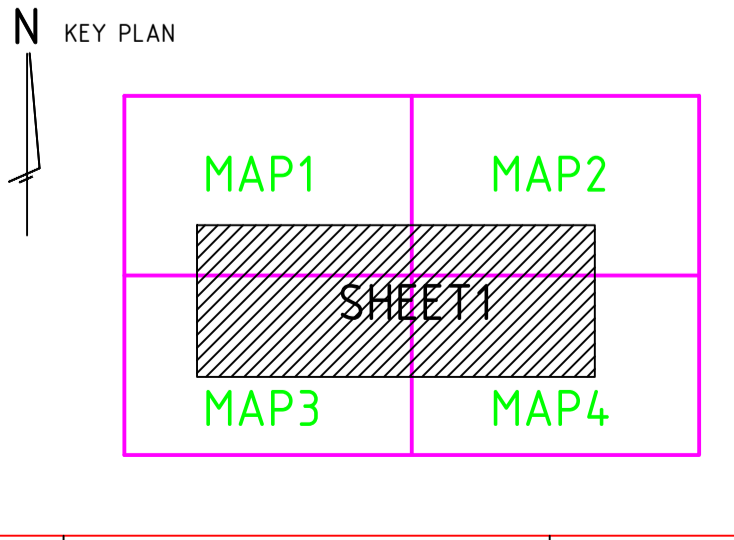
| REV | DATE | DRAFTER | DESCRIPTION | APPROVED |
|-----|---------|---------|------------------|----------|
| A | 15/6/15 | IDW | FOR CONSTRUCTION | JE |
| 1 | 7/4/15 | IDW | FOR APPROVAL | JE |

NBNC APPROVAL RECORD:

| | | |
|-----------------------------|-----------|-------|
| <input type="checkbox"/> DD | SIGNATURE | DATE |
| <input type="checkbox"/> WD | _____ | _____ |
| <input type="checkbox"/> AB | _____ | _____ |

QUALITY RECORD:

NBNC DISCLAIMER
 THIS DOCUMENT HAS BEEN PREPARED SOLELY FOR THE USE OF NBNC LIMITED (ABN 86 136 533 741) FOR USE IN MAINTAINING NBNC FACILITIES. IT HAS NOT BEEN CREATED FOR ANY OTHER USE. IT SHOULD NOT BE SCALED TO LOCATE NBNC ASSETS. NO WARRANTY IS GIVEN THAT THE INFORMATION IS ACCURATE OR COMPLETE.



DRAWING TITLE:
 BENTLEY CROSSING STG 1
 NBN Co PIT AND PIPE DESIGN
 SITE PLAN AND DETAILS

STATE: QLD REGION: FN
 FSA: FSAM: FDA:
 PROJECT No: AYCA-126PKZ
 CADREF No: 2570-T01
 SCALE: AS SHOWN SHEET No: 1 OF 3 REV: A