




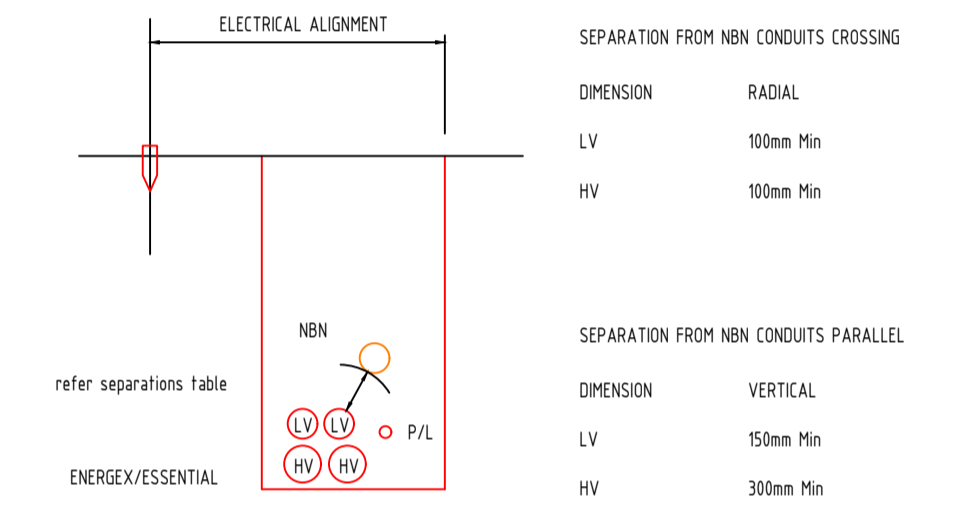


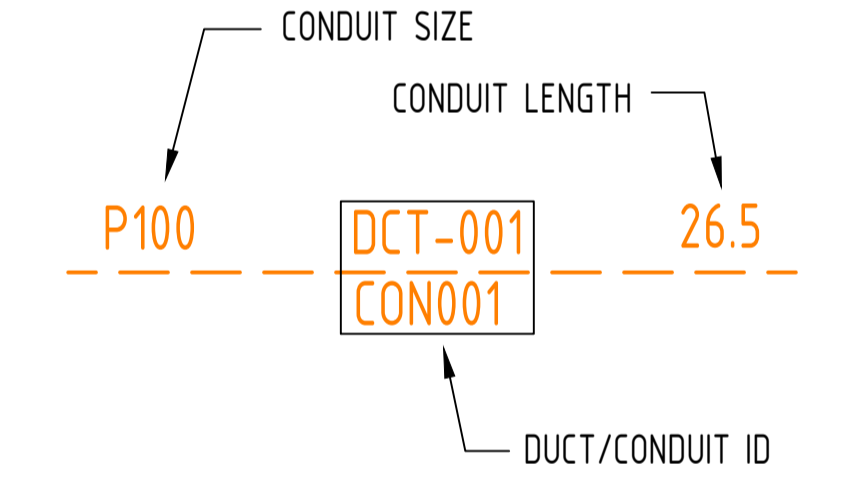
NBN SYMBOL LEGEND

-  Transformer / Kiosk / Pad Mount
Sub-station / Pole Mount Transformer
-  PIT-ID 5 Network Boundary/Local Network Pit (Single Lid) (700mmX450mmX650mm)
-  PIT-ID 8 Distribution/Local Network Connection Pit (1360mmX555mmX860mm)
-  PIT-ID 9 Fibre Distribution Hub (FDH) Pit (2000mmX555mmX900mm)
-  Shared Trench Symbol

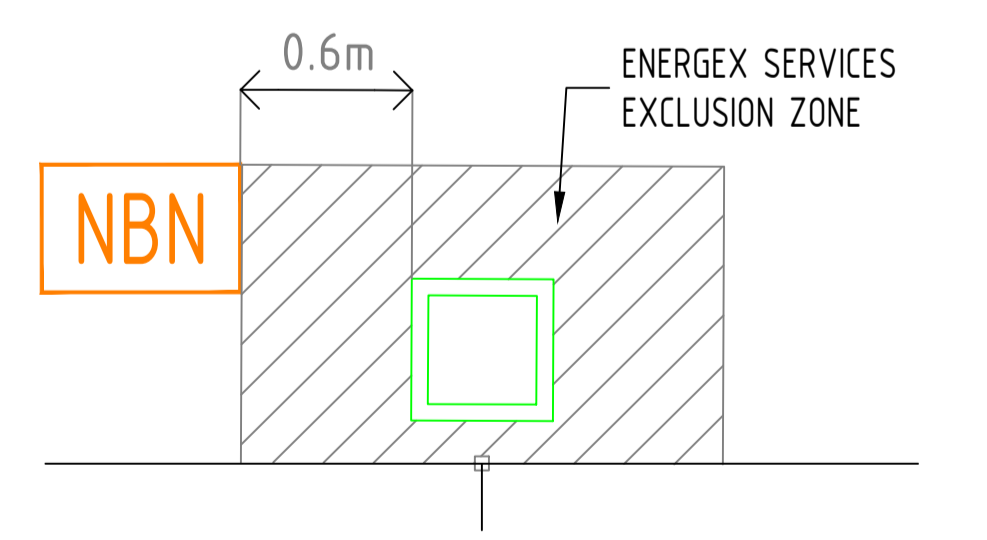
TRENCH SECTION



CONDUIT CONFIGURATION



STANDARD NBN PIT OFFSET TO ENERGEX PILLAR



WHERE PITS ARE NOT LOCATED BESIDE PILLARS, OFFSETS WILL BE SHOWN ON THE LAYOUT TO THE NEAREST TRUNCATION. IF NO OFFSET DISTANCE IS SHOWN, PLEASE CONTACT DESIGN CONSULTANT PRIOR TO INSTALLATION.

Development Information				
Development Name: RIVERPARKS				
Developer Company: NORTHERLY PROJECTS				
Development Address: RIVERPARKS WAY, UPPER CABOOLTURE				
Authorised Rep: PETER EUSTACE & ASSOCIATES Phone: (07) 5596 1425 E-Mail: krisb@petereustace.com.au				
CRM ID: AYCA-2X8XTT	Stage Number: 11 & 11A			
BILL OF MATERIAL				
NO OF LOTS: 28				
PITS		DUCTS		
SIZE	QTY	SIZE	QTY	MTRS
2	0	P100	9	213.1
5	16	P50	7	173
6	0	P23	28	199.3
8	0			
9	0			
TOTAL NUMBER OF PITS: 16				
TOTAL NUMBER OF MANHOLES: 0				
TOTAL NUMBER OF CONDUITS: 44				
TOTAL LENGTH OF CONDUITS: 585.4				



CONSTRUCTION ISSUE



REV	DATE	DRAFTER	DESCRIPTION	APPROVED
D	02.03.18	KB	LOT 1107 NBN CHANGED	
C	23.01.18	KB	ISSUE FOR CONSTRUCTION	
B	28.09.17	KB	REISSUE FOR NBN APPROVAL - ADT 2017 USED	
A	25.09.17	KB	ISSUE FOR NBN APPROVAL	

STRICTLY CONFIDENTIAL

NBNCO APPROVAL RECORD:

SIGNATURE	DATE
<input type="checkbox"/> DD	_____
<input type="checkbox"/> WD	_____
<input type="checkbox"/> AB	_____

QUALITY RECORD:

NBNCO DISCLAIMER
THIS DOCUMENT HAS BEEN PREPARED SOLELY FOR THE USE OF NBNCO LIMITED (ABN 86 136 533 741) FOR USE IN MAINTAINING NBNCO FACILITIES. IT HAS NOT BEEN CREATED FOR ANY OTHER USE. IT SHOULD NOT BE SCALED TO LOCATE NBNCO ASSETS. NO WARRANTY IS GIVEN THAT THE INFORMATION IS ACCURATE OR COMPLETE.

PETER EUSTACE & ASSOCIATES
ELECTRICAL • MECHANICAL • FIRE • LIFTS

STREET ADDRESS: Unit 14, 3941 Lawrence Dr, Naringup QLD 4211
POSTAL ADDRESS: PO Box 2835, Naringup DC QLD 4211
TELEPHONE: (07) 5596 1425
EMAIL: mail@petereustace.com.au

KEY PLAN

DRAWING TITLE:
PIT & PIPE LAYOUT
RIVERPARKS STAGE 11 & 11A
CRABAPPLE COURT, UPPER CABOOLTURE

STATE: QLD REGION: UPPER CABOOLTURE

FSA: SAM: ADA:

PROJECT No: PE2862_Riverparks

CADREF No: AYCA-2X8XTT

SCALE: 1:500@A1 SHEET No. 1 OF 1 REV. D